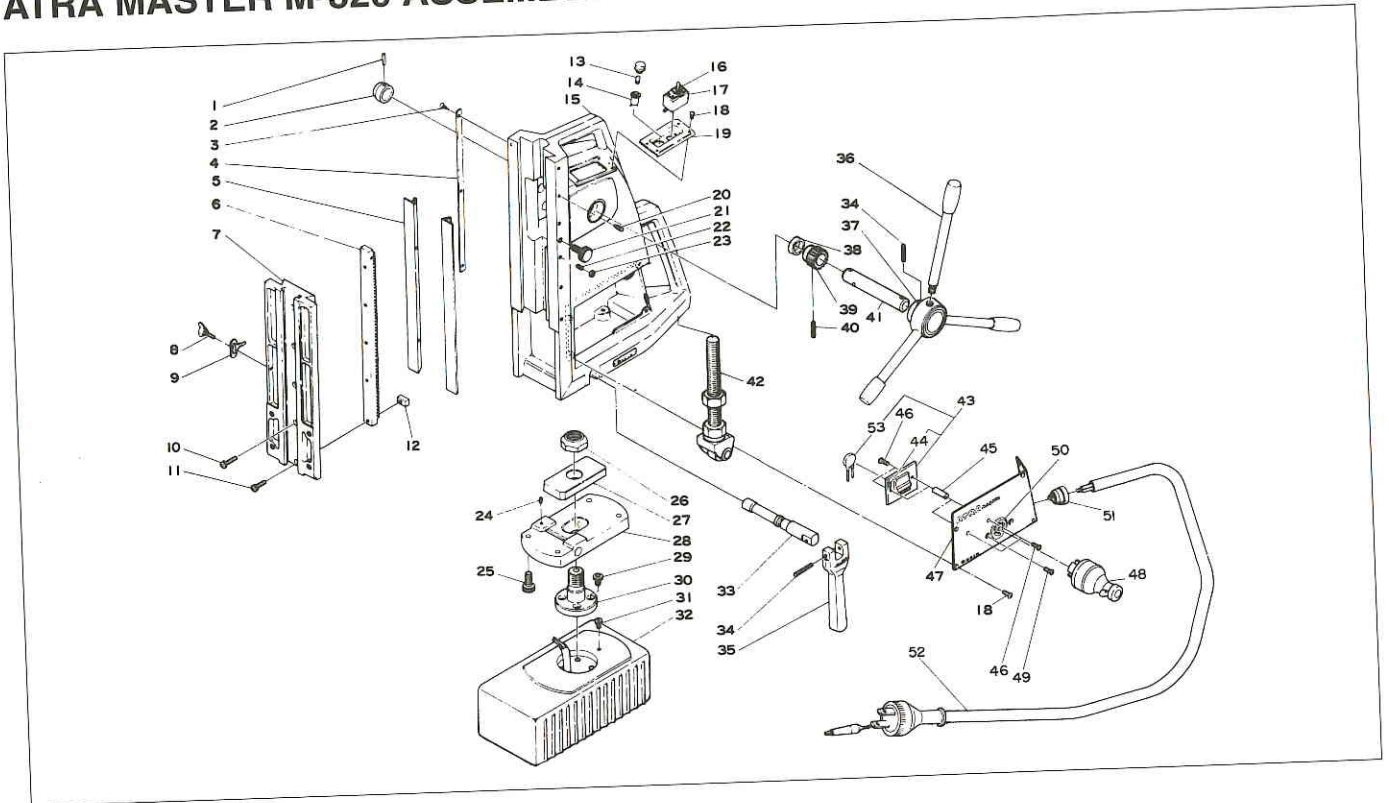


ATRA MASTER M-320 ASSEMBLY AND PARTS LIST



The parts numbers with () are included in the Ass'y parts written above them.

| No. | Part No. | Part Name | Q'ty | Price |
|-----|----------|-----------------------------------|-------|-------|
| 1 | TP00043 | Spring Pin 5×34 | 1 | |
| 2 | TP05043 | Stopper | 1 | |
| 3 | TP05136 | Rivet #2 | 3 | |
| 4 | TP06511 | Scale Plate | 1 | |
| 5 | TP13832 | Slide Plate | 2 | |
| 6 | TP05091 | Rack | 1 | |
| 7 | TP06505 | Slide Board | 1 | |
| 8 | TP12245 | Wing Bolt 4×6 | 1 | |
| 9 | TP02611 | Indicator | 1 | |
| 10 | TP08646 | Hex. Socket Cap Screw 5×14 | 4 | |
| 11 | TP02863 | Hex. Socket Cap Screw 5×20 | 1 | |
| 12 | TP02861 | Stopper | 1 | |
| 13 | TP00053 | Neon Lamp | 1 | |
| 14 | TP00271 | Lamp Holder MP-020 | 1 | |
| 15 | TA92925 | Body Sub Ass'y | 1 set | |
| 16 | TP00076 | Switch Nameplate | 1 | |
| 17 | TP00054 | Switch ET115A12 | 1 | |
| 18 | TP02618 | Cross-Recessed Pan Head Screw 4×8 | 10 | |
| 19 | TP06520 | Switch Base-Panail | 1 | |
| 20 | TP04519 | Hex. Socket Set Screw 5×18 | 4 | |
| 21 | TP02931 | Setscrew | 1 | |
| 22 | TP02937 | Hex. Socket Set Screw 5×20 | 1 | |
| 23 | TP02936 | Hex. Nut M5 | 6 | |
| 24 | TP02603 | Hex. Socket Set Screw 4×10 | 1 | |
| 25 | TP00045 | Hex. Socket Cap Screw 8×25 | 4 | |
| 26 | TP12183 | Hex. Nut M22×1.5 | 1 | |
| 27 | TP06509 | Lock Plate | 1 | |
| 28 | TP02598 | Pole Plate | 1 | |
| 29 | TP02601 | Hex. Socket Cap Screw 8×10 | 4 | |
| 30 | TP12184 | Radial Shaft | 1 | |
| 31 | TP00200 | Hex. Socket Cap Screw 5×8 | 1 | |
| 32 | TA93874 | Magnet Sub Ass'y | 1 set | |
| 33 | TP02604 | Cam Shaft | 1 | |

| No. | Part No. | Part Name | Q'ty | Price |
|-----|----------|------------------------------------|-------|-------|
| 34 | TP09853 | Spring Pin 5×34 Double | 2 | |
| 35 | TP00041 | Lock Handle | 1 | |
| 36 | TP00118 | Feed Handle | 3 | |
| 37 | TP05042 | Handle Boss | 1 | |
| 38 | TP05093 | Washer 25×35×5 | 1 | |
| 39 | TP05040 | Pinion | 1 | |
| 40 | TP13891 | Spring Pin 5×38 Double | 1 | |
| 41 | TP05092 | Pinion Shaft | 1 | |
| 42 | TA90632 | Stabilizer Ass'y | 1 set | |
| 43 | TB01398 | Printed Circuit Ass'y | 1 set | |
| 44 | TP04724 | Resistor 390kΩ 1/4W | 1 | |
| 45 | TQ01511 | Spacer P-129 | 2 | |
| 46 | TP12819 | Cross-Recessed Pan Head Screw 4×6 | 4 | |
| 47 | TQ00839 | Circuit Board | 1 | |
| 48 | TP00152 | Twist Lock Conent Plug | 1 | |
| 49 | TP00153 | Cross-Recessed Pan Head Screw 3×12 | 2 | |
| 50 | TP00151 | Twist Lock Conent Socket | 1 | |
| 51 | TP01757 | Cord Stopper SR-7P-2 | 1 | |
| 52 | TA97433 | Cabtyre Cord Ass'y | 1 set | |
| 53 | TQ01995 | Varistor | 1 | |

ACCESSORIES

| | | | | |
|--|---------|-------------------------------|-------|--|
| | TP00080 | Spanner 35×41 | 1 | |
| | TP00170 | Hex. Wrench Key 6 | 1 | |
| | TP04305 | Hex. Wrench Key 2.5 | 1 | |
| | TP14091 | Spanner 7×8 | 1 | |
| | TA99027 | Safety Chain Ass'y | 1 set | |
| | TA99750 | Electric Drill Fixing D Ass'y | 1 set | |
| | TQ00842 | Insuruction Manual | 1 | |

*When ordering spare parts, please state the description and part number of the spare part (not the Ref.No.) as well as the model.